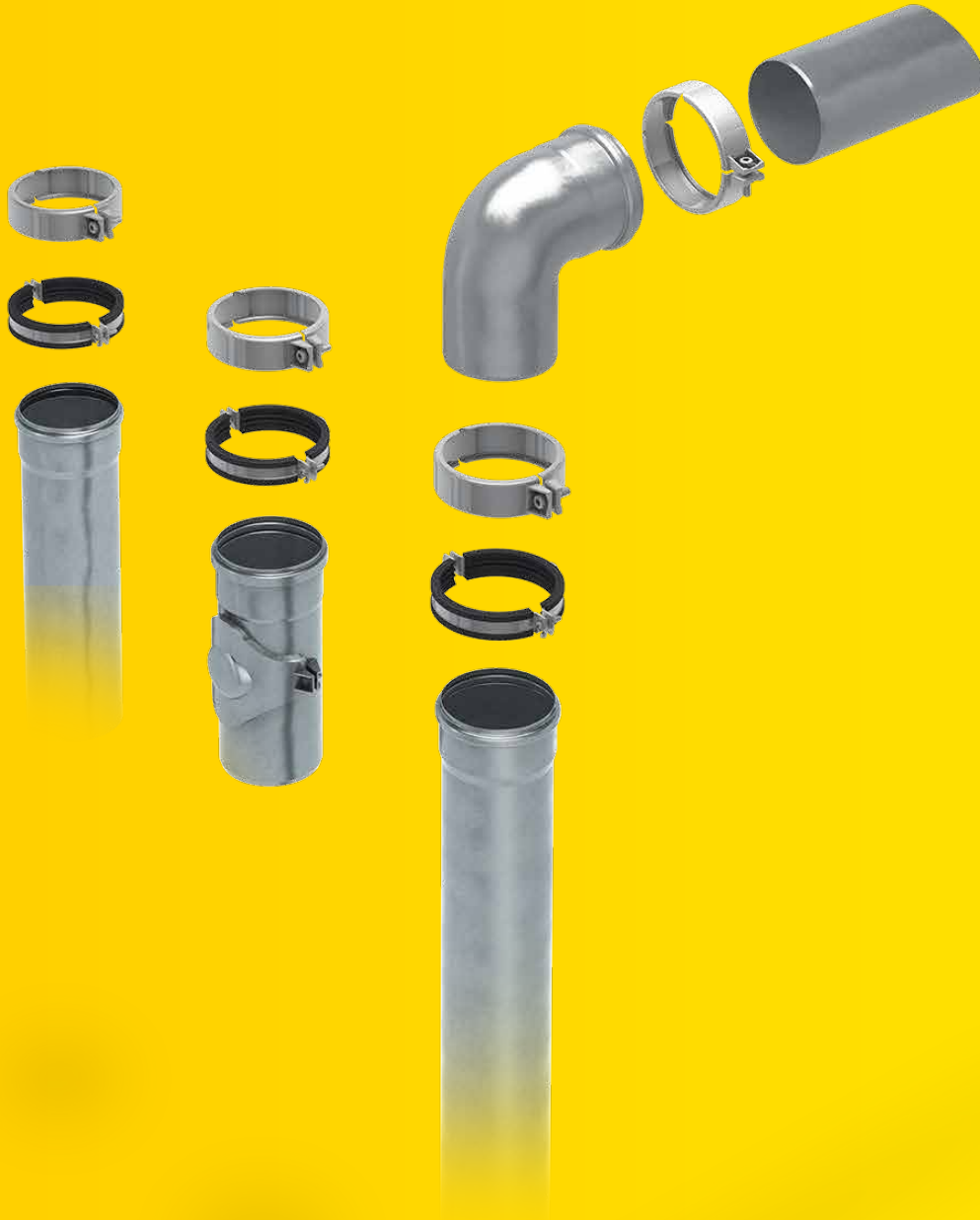


# SitaPipe Stainless Steel

Low weight. Timeless look.



- + For direct connection to Sita outlets
- + For main and emergency drainage
- + Low weight
- + For conventional and siphonic drainage



**SitaPipe Stainless Steel**  
pipe



**SitaPipe Stainless Steel**  
bend



**SitaPipe Stainless Steel**  
cleaning pipe



**SitaPipe Stainless Steel**  
cleaning branch



**SitaPipe Stainless Steel**  
pipe clamp



**SitaPipe Stainless Steel**  
safety clamp



**SitaPipe Stainless Steel**  
Circlip



**SitaPipe Stainless Steel**  
branch 45°



**SitaPipe Stainless Steel**  
branch 87,5°



**SitaPipe Stainless Steel**  
adapter eccentric



**SitaPipe Stainless Steel**  
adapter centred



**SitaPipe Stainless Steel**  
reduction



**SitaPipe**  
flat roof branch



**SitaPipe**  
adapter



**SitaPipe Stainless Steel**  
expansion sleeve



**SitaPipe Stainless Steel**  
double plug-in coupler



**SitaPipe Stainless Steel**  
slide-on coupler



**SitaPipe Stainless Steel**  
sealing plug



**SitaPipe Stainless Steel**  
mounting bracket

# SitaPipe Stainless Steel

## Product features at a glance:

### Product features

---

|                       |  |
|-----------------------|--|
| <b>Applications</b>   | To reroute rainwater from the Sita outlet to the sewers or onto surfaces that can be freely and safely flooded   |
| <b>Material</b>       | Rust-proof stainless steel   Galvanised steel   Zinc<br>Note: Subject to the information requirements in Article 33 of the REACH Regulation (SVHC/Candidate List): Products contain more than 0.1 % lead (EC no. 231-100-4 / CAS no. (EC Listing) 7439-92-1).   Zinc   |
| <b>Material class</b> | Euroclass A1 /A1 non-flammable   |
| <b>Properties</b>     | + Not sensitive to the weather (UV/IR radiation, rain/snow, temperature, ozone, etc.)<br>+ Impact and shock resistant<br>+ Durable   |
| <b>Workmanship</b>    | The general rules of engineering as well as the installation examples and installation instructions of Sita Bauelemente GmbH form the basis. The installation examples are for illustration purposes only and are a general, non-binding recommendation. The design is shown in schematic form only and does not replace the necessary work, detail and installation planning by the contractor. The customer, planner, contractor, etc. is responsible for checking the suitability, completeness and dimensions for the project and adjusting or tailoring the components to suit local requirements. Neighbouring works are shown in schematic form with no guarantee of their being complete or correct. The technical specifications in the information sheets, workmanship guidelines and system permits must be adhered to. |

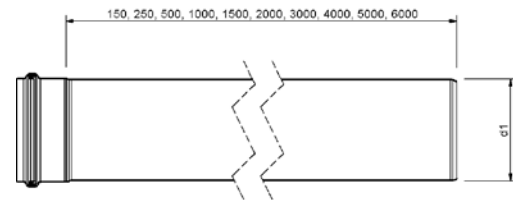
# SitaPipe Stainless Steel pipe



## Tender text

SitaPipe stainless steel pipe, made of rust-proof stainless steel, material number 1.4301 for sizes DN 40 to DN 250, material number 1.4404 for DN 315, to DIN EN 1124 as a plug-in pipe system with EPDM lip seal fitted in the coupler at the factory, sharp end with 20° phase for simplified insertion in the socket. Pipes completely dip treated to ensure a smooth matt silver finish, supply and install to professional standards.

## Technical drawing



| Size DN | OD* | d1 (mm) | Execution | Article number |
|---------|-----|---------|-----------|----------------|
| 40      | 40  | 40      | 500 mm    | 70 00 40 05    |
|         |     |         | 1000 mm   | 70 00 40 10    |
|         |     |         | 2000 mm   | 70 00 40 20    |
|         |     |         | 3000 mm   | 70 00 40 30    |
| 50      | 50  | 50      | 500 mm    | 70 00 50 05    |
|         |     |         | 1000 mm   | 70 00 50 10    |
|         |     |         | 2000 mm   | 70 00 50 20    |
|         |     |         | 3000 mm   | 70 00 50 30    |
| 70      | 75  | 75      | 150 mm    | 70 00 70 15    |
|         |     |         | 250 mm    | 70 00 75 25    |
|         |     |         | 500 mm    | 70 00 75 05    |
|         |     |         | 1000 mm   | 70 00 75 10    |
|         |     |         | 1500 mm   | 70 00 75 15    |
|         |     |         | 2000 mm   | 70 00 75 20    |
|         |     |         | 3000 mm   | 70 00 75 30    |
|         |     |         | 4000 mm   | 70 00 75 40    |
|         |     |         | 5000 mm   | 70 00 75 50    |
|         |     |         | 6000 mm   | 70 00 75 60    |
| 80      | 82  | 82      | 500 mm    | 70 00 80 05    |
|         |     |         | 1000 mm   | 70 00 80 10    |
|         |     |         | 2000 mm   | 70 00 80 20    |

# SitaPipe Stainless Steel pipe



|         |             |     |         |             |
|---------|-------------|-----|---------|-------------|
| 80      | 82          | 82  | 3000 mm | 70 00 80 30 |
|         |             |     | 6000 mm | 70 00 80 60 |
| 100     | 110         | 110 | 250 mm  | 70 00 11 99 |
|         |             |     | 500 mm  | 70 00 11 05 |
|         |             |     | 1000 mm | 70 00 11 10 |
|         |             |     | 1500 mm | 70 00 11 15 |
|         |             |     | 2000 mm | 70 00 11 20 |
|         |             |     | 3000 mm | 70 00 11 30 |
|         |             |     | 4000 mm | 70 00 11 40 |
|         |             |     | 5000 mm | 70 00 11 50 |
|         |             |     | 6000 mm | 70 00 11 60 |
|         |             |     | 125     | 125         |
| 1000 mm | 70 00 12 10 |     |         |             |
| 2000 mm | 70 00 12 20 |     |         |             |
| 3000 mm | 70 00 12 30 |     |         |             |
| 4000 mm | 70 00 12 40 |     |         |             |
| 5000 mm | 70 00 12 50 |     |         |             |
| 6000 mm | 70 00 12 60 |     |         |             |
| 150     | 160         | 160 | 500 mm  | 70 00 16 05 |
|         |             |     | 1000 mm | 70 00 16 10 |
|         |             |     | 2000 mm | 70 00 16 20 |
|         |             |     | 3000 mm | 70 00 16 30 |
|         |             |     | 5000 mm | 70 00 16 50 |
|         |             |     | 6000 mm | 70 00 16 60 |
| 200     | 200         | 200 | 500 mm  | 70 00 20 05 |
|         |             |     | 1000 mm | 70 00 20 10 |
|         |             |     | 2000 mm | 70 00 20 20 |
|         |             |     | 3000 mm | 70 00 20 30 |
| 250     | 250         | 250 | 500 mm  | 70 00 25 05 |
|         |             |     | 1000 mm | 70 00 25 10 |
|         |             |     | 2000 mm | 70 00 25 20 |
|         |             |     | 3000 mm | 70 00 25 30 |
| 315     | 315         | 315 | 500 mm  | 70 00 31 05 |
|         |             |     | 1000 mm | 70 00 31 10 |
|         |             |     | 2000 mm | 70 00 31 20 |

\* OD = Outer diameter (mm)

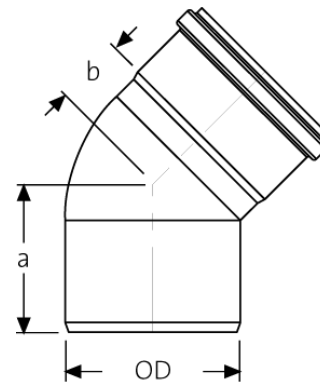
# SitaPipe Stainless Steel bend



## Tender text

SitaPipe stainless steel bend, made of rust-proof stainless steel, material number 1.4301 or material number 1.4404 (for DN 70 - 22,5°, DN 200 - 45° & 87.5°), to DIN EN 1124 as a plug-in pipe system with EPDM lip seal fitted in the socket at the factory, sharp end with 20° phase for simplified insertion in the socket. Formed parts completely dip treated to ensure a smooth matt silver finish, supply and install to professional standards.

## Technical drawing



| Size DN | OD* | Bend  | a (mm) | b (mm) | Article number |
|---------|-----|-------|--------|--------|----------------|
| 40      | 40  | 15°   | 53     | 15     | 70 04 15 40    |
|         |     | 30°   | 55     | 18     | 70 04 30 40    |
|         |     | 45°   | 58     | 21     | 70 04 45 40    |
|         |     | 87.5° | 79     | 32     | 70 04 88 40    |
| 50      | 50  | 15°   | 54     | 7      | 70 04 15 50    |
|         |     | 30°   | 57     | 11     | 70 04 30 50    |
|         |     | 45°   | 60     | 21     | 70 04 45 50    |
|         |     | 87.5° | 86     | 35     | 70 04 88 50    |
| 70      | 75  | 15°   | 66     | 11     | 70 04 15 75    |
|         |     | 22.5° | 71     | 21     | 70 04 22 75    |
|         |     | 30°   |        | 16     | 70 04 30 75    |
|         |     | 45°   | 76     | 28     | 70 04 45 75    |
|         |     | 87.5° | 107    | 48     | 70 04 88 75    |
| 80      | 82  | 15°   | 64     | 17     | 70 04 15 80    |
|         |     | 30°   | 70     | 23     | 70 04 30 80    |
|         |     | 45°   | 80     | 30     | 70 04 45 80    |
|         |     | 87.5° | 109    | 53     | 70 04 88 80    |
| 100     | 110 | 15°   | 75     | 21     | 70 04 15 11    |
|         |     | 30°   | 85     | 28     | 70 04 30 11    |
|         |     | 45°   | 93     | 43     | 70 04 45 11    |
|         |     | 87.5° | 134    | 73     | 70 04 88 11    |
| 125     | 125 | 15°   | 84     | 14     | 70 04 15 12    |

# SitaPipe Stainless Steel bend



|     |     |       |     |     |             |
|-----|-----|-------|-----|-----|-------------|
| 125 | 125 | 30°   | 98  | 23  | 70 04 30 12 |
|     |     | 45°   | 111 | 53  | 70 04 45 12 |
|     |     | 87.5° | 161 | 88  | 70 04 88 12 |
| 150 | 160 | 15°   | 99  | 23  | 70 04 15 16 |
|     |     | 30°   | 110 | 34  | 70 04 30 16 |
|     |     | 45°   | 131 | 49  | 70 04 45 16 |
| 200 | 200 | 87.5° | 181 | 99  | 70 04 88 16 |
|     |     | 45°   | 151 | 61  | 70 04 45 20 |
|     |     | 87.5° | 216 | 116 | 70 04 88 20 |
| 250 | 250 | 15°   | 136 | 38  | 70 04 15 25 |
|     |     | 30°   | 153 | 55  | 70 04 30 25 |
|     |     | 45°   | 177 | 77  | 70 04 45 25 |
|     |     | 87.5° | 269 | 145 | 70 04 88 25 |
| 315 | 315 | 15°   | 151 | 46  | 70 04 15 31 |
|     |     | 30°   | 172 | 68  | 70 04 30 31 |
|     |     | 45°   | 320 | 204 | 70 04 45 31 |
|     |     | 87.5° | 538 | 421 | 70 04 88 31 |

\* OD = Outer diameter (mm)

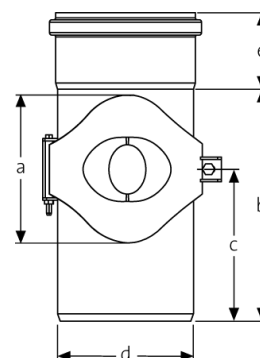
# SitaPipe Stainless Steel cleaning pipe



## Tender text

SitaPipe stainless steel cleaning pipe, made of rust-proof stainless steel, material number 1.4301 or material number 1.4404 (for DN 125 & DN 200), to DIN EN 1124 as a plug-in pipe system with EPDM lip seal fitted in the socket at the factory, sharp end with 20° phase for simplified insertion in the socket. Formed parts completely dip treated to ensure a smooth matt silver finish, supply and install to professional standards.

## Technical drawing



| Size DN | OD* | a (mm) | b (mm) | c (mm) | d (mm) | e (mm) | Article number |
|---------|-----|--------|--------|--------|--------|--------|----------------|
| 70      | 75  | 80     | 134    | 92     | 75     | 55     | 70 08 75 10    |
| 100     | 110 | 120    | 188    | 123    | 110    | 62     | 70 08 11 11    |
| 125     | 125 |        | 190    | 128    | 125    | 65     | 70 08 11 12    |
| 150     | 160 |        | 277    | 208    | 160    | 78     | 70 08 11 13    |
| 200     | 200 |        | 288    |        | 200    | 96     | 70 08 20 20    |

\* OD = Outer diameter (mm)



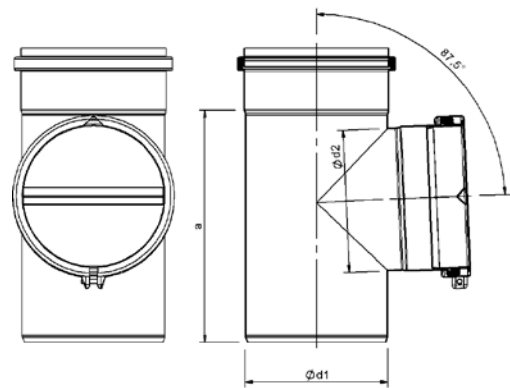
# SitaPipe Stainless Steel cleaning branch



## Tender text

SitaPipe stainless steel cleaning branch, made of rust-proof stainless steel, material number 1.4301 and material number 1.4404, to DIN EN 1124 as a plug-in pipe system with EPDM lip seal fitted in the coupler at the factory, sharp end with 20° phase for simplified insertion in the socket. Consisting of a branch 87.5° (material number 1.4404), a sealing plug (material number 1.4404) and a safety clamp (material number 1.4301). Formed parts completely dip treated to ensure a smooth matt silver finish, supply and install to professional standards.

## Technical drawing



| Size DN | OD* | a (mm) | d1 (mm) | d2 (mm) | Article number |
|---------|-----|--------|---------|---------|----------------|
| 250     | 250 | 407    | 250     | 250     | 70 08 25 25    |
| 315     | 315 | 416    | 315     |         | 70 08 31 25    |

\* d1 und d2 = External diameter (mm) of the connecting pipe/fitting

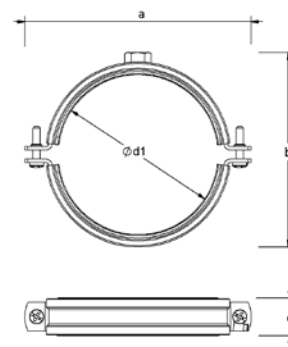
# SitaPipe Stainless Steel pipe clamp



## Tender text

SitaPipe stainless steel pipe clamp, made of rust-proof stainless steel, material number 1.4404 for all sizes up to DN 250, made of galvanised steel for size DN 315, with insert and M8, M10 or M16 threaded connection for fastening on structure, supply and install to professional standards.

## Technical drawing



| Size DN | OD* | a (mm) | b (mm) | c (mm) | d1 (mm) | Article number |
|---------|-----|--------|--------|--------|---------|----------------|
| 40      | 40  | 87     | 62     | 24     | 40      | 74 20 00 40    |
| 50      | 50  | 96     | 75     |        | 50      | 74 20 00 50    |
| 70      | 75  | 118    | 95     | 26     | 75      | 74 20 00 75    |
| 80      | 82  | 124    | 104    |        | 82      | 74 20 00 80    |
| 100     | 110 | 158    | 136    |        | 110     | 74 20 00 11    |
| 125     | 125 | 169    | 153    | 24     | 125     | 74 20 00 12    |
| 150     | 160 | 233    | 189    | 30     | 160     | 74 20 00 16    |
| 200     | 200 | 270    | 232    |        | 200     | 74 20 00 20    |
| 250     | 250 | 352    | 298    | 45     | 250     | 74 20 00 25    |
| 315     | 315 | 429    | 375    |        | 315     | 74 20 00 31    |

\* OD = Outer diameter (mm)

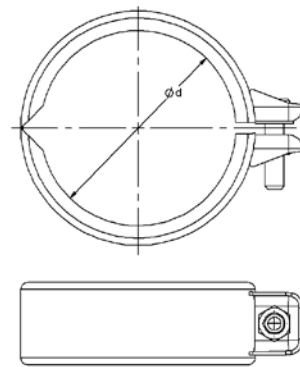
# SitaPipe Stainless Steel safety clamp



## Tender text

SitaPipe stainless steel rust-proof stainless steel safety clamp, material number 1.4301, for SitaPipe Edelstahl pipe and for secure connection of the Sita outlet to the SitaPipe pipe system, supply and install to professional standards.

## Technical drawing



| Size DN | OD* | d (mm) | Article number |
|---------|-----|--------|----------------|
| 40      | 40  | 40     | 70 12 40 40    |
| 50      | 50  | 50     | 70 12 50 50    |
| 70      | 75  | 75     | 70 12 75 75    |
| 80      | 82  | 82     | 70 12 80 80    |
| 100     | 110 | 110    | 70 12 11 11    |
| 125     | 125 | 125    | 70 12 12 12    |
| 150     | 160 | 160    | 70 12 16 16    |
| 200     | 200 | 200    | 70 12 20 20    |
| 250     | 250 | 250    | 70 12 25 25    |

\* OD = Outer diameter (mm)

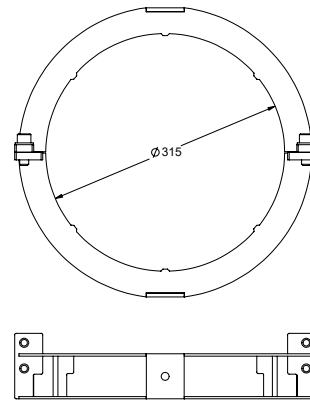
# SitaPipe Stainless Steel circlip



## Tender text

SitaPipe stainless steel rust-proof stainless steel circlip, material number 1.4301, for SitaPipe Edelstahl pipe and for secure connection of the Sita outlet to the SitaPipe Edelstahl pipe system, supply and install to professional standards.

## Technical drawing



| Size DN | OD* | Article number |
|---------|-----|----------------|
| 315     | 315 | 70 12 31 31    |

\* OD = Outer diameter (mm)

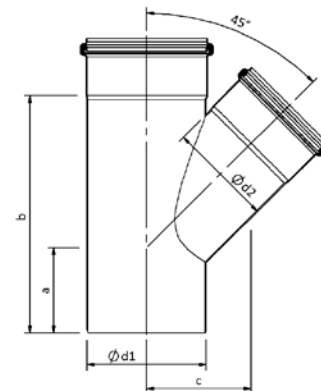
# SitaPipe Stainless Steel branch 45°



## Tender text

SitaPipe stainless steel branch 45°, made of rust-proof stainless steel, material number 1.4301 or material number 1.4404 for DN 200/150, to DIN EN 1124 as a plug-in pipe system with EPDM lip seal fitted in the socket at the factory, sharp end with 20° phase for simplified insertion in the socket. Formed parts completely dip treated to ensure a smooth matt silver finish, supply and install to professional standards.

## Technical drawing



| Size DN | OD* | a (mm) | b (mm) | c (mm) | d1 (mm) | d2 (mm) | Article number |
|---------|-----|--------|--------|--------|---------|---------|----------------|
| 50      | 50  | 62     | 133    | 54     | 50      | 50      | 70 05 50 50    |
| 70      | 75  | 56     | 144    | 66     | 75      |         | 70 05 50 75    |
|         |     | 74     | 179    | 78     |         | 75      | 70 05 75 75    |
| 80      | 82  | 57     | 149    | 72     | 82      | 50      | 70 05 80 50    |
| 100     | 110 | 42     | 147    | 84     | 110     |         | 70 05 11 50    |
|         |     | 60     | 181    | 95     |         | 75      | 70 05 11 75    |
|         |     | 91     | 236    | 105    |         | 110     | 70 05 11 11    |
| 125     | 125 | 65     | 200    | 100    | 125     | 75      | 70 05 75 12    |
|         |     | 90     | 250    | 110    |         | 110     | 70 05 11 12    |
|         |     | 103    | 273    | 120    |         | 125     | 70 05 12 12    |
| 150     | 160 | 80     | 258    | 131    | 160     | 110     | 70 05 11 16    |
|         |     | 120    | 331    | 156    |         | 160     | 70 05 16 16    |
| 200     | 200 | 123    | 359    | 177    | 200     |         | 160            |
|         |     | 151    | 415    | 194    |         | 200     | 70 05 20 20    |

\* d1 und d2 = External diameter (mm) of the connecting pipe/fitting

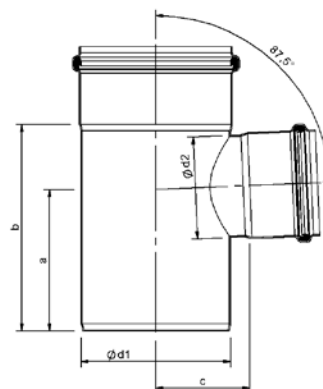
# SitaPipe Stainless Steel blanch 87,5°



## Tender text

SitaPipe stainless steel branch 87.5°, made of rust-proof stainless steel, material number 1.4301, to DIN EN 1124 as a plug-in pipe system with EPDM lip seal fitted in the socket at the factory, sharp end with 20° phase for simplified insertion in the socket. Formed parts completely dip treated to ensure a smooth matt silver finish, supply and install to professional standards.

## Technical drawing



| Size DN | OD* | a (mm) | b (mm) | c (mm) | d1 (mm) | d2 (mm) | Article number |
|---------|-----|--------|--------|--------|---------|---------|----------------|
| 40      | 40  | 69     | 101    | 30     | 40      | 40      | 70 06 40 40    |
| 50      | 50  | 71     | 106    | 35     | 50      |         | 70 06 50 40    |
| 70      | 75  | 90     | 139    | 52     | 75      | 75      | 70 06 75 75    |
| 80      | 82  | 99     | 154    | 55     | 82      |         | 82             |
|         |     | 103    | 162    | 56     |         | 82      | 70 06 80 80    |
| 100     | 110 | 93     | 132    | 66     | 110     | 50      | 70 06 11 50    |
|         |     | 104    | 152    | 69     |         | 75      | 70 06 11 75    |
|         |     | 117    | 183    |        |         | 110     | 70 06 11 11    |
| 125     | 125 | 110    | 187    | 77     | 125     | 75      | 70 06 12 75    |
|         |     | 127    | 205    |        |         | 110     | 70 06 12 11    |
| 250     | 250 | 220    | 352    | 155    | 250     | 200     | 70 06 25 20    |
|         |     | 245    | 407    | 152    |         | 250     | 70 06 25 25    |
| 315     | 315 | 253    | 416    | 189    | 315     | 250     | 70 06 31 25    |
|         |     | 286    | 481    | 196    |         |         | 315            |

\* d1 und d2 = External diameter (mm) of the connecting pipe/fitting

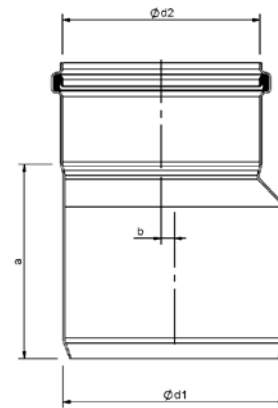
# SitaPipe Stainless Steel adapter eccentric



## Tender text

SitaPipe stainless steel transition piece eccentric, made of rust-proof stainless steel, material number 1.4301 (for DN 50/100, DN 50/70, DN 70/100, DN 100/150) or material number 1.4404 (for DN 40/50, 50/80, 80/100, 100/125, DN 100/125, DN 150/200), to DIN EN 1124 as a plug-in pipe system with EPDM lip seal fitted in the coupler at the factory, sharp end with a 20° phase for simplified insertion in the coupler, for the transition to other dimensions. Formed parts completely dip treated to ensure a smooth matt silver finish, supply and install to professional standards.

## Technical drawing



| Size DN | OD* | a (mm) | b (mm) | d1 (mm) | d2 (mm) | Article number |
|---------|-----|--------|--------|---------|---------|----------------|
| 40      | 40  | 85     | 5      | 50      | 40      | 70 01 50 40    |
| 50      | 50  | 87     | 7      | 75      | 50      | 70 01 75 50    |
|         |     | 97     | 14     | 82      |         | 70 01 80 50    |
|         |     | 114    | 25     | 110     |         | 70 01 50 11    |
| 70      | 75  | 116    | 15     | 160     | 75      | 70 01 11 75    |
|         |     | 178    | 37     |         |         | 70 01 16 75    |
| 80      | 82  | 111    | 11     | 110     | 82      | 70 01 11 80    |
| 100     | 110 | 109    | 8      | 125     | 110     | 70 01 12 11    |
|         |     | 140    | 22     | 160     |         | 70 01 11 16    |
| 125     | 125 | 138    | 18     | 200     | 125     | 70 01 12 16    |
| 150     | 160 | 165    | 20     | 200     | 160     | 70 01 20 16    |
| 200     | 200 | 195    | 25     | 250     | 200     | 70 01 25 20    |
|         |     | 280    | 58     | 315     |         | 70 01 31 20    |
| 250     | 250 | 242    | 33     | 315     | 250     | 70 01 31 25    |

\* d1 und d2 = External diameter (mm) of the connecting pipe/fitting

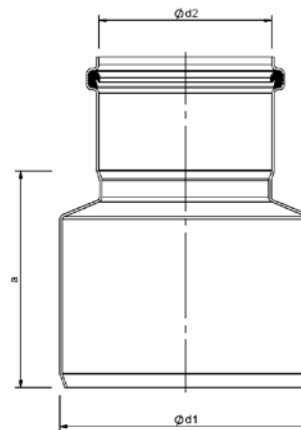
# SitaPipe Stainless Steel adapter centred



## Tender text

SitaPipe Edelstahl transition piece centred, made of rust-proof stainless steel, material number 1.4301 for DN 70/100 or material number 1.4404 for DN 70/80, to DIN EN 1124 as a plug-in pipe system with EPDM lip seal fitted in the coupler at the factory, sharp end with a 20° phase for simplified insertion in the coupler, for the transition to other dimensions. Formed parts completely dip treated to ensure a smooth matt silver finish, supply and install to professional standards.

## Technical drawing



| Size DN | OD* | a (mm) | d1 (mm) | d2 (mm) | Article number |
|---------|-----|--------|---------|---------|----------------|
| 70      | 75  | 95     | 110     | 75      | 70 02 11 75    |
|         |     | 96     | 82      |         | 70 02 80 75    |

\* d1 und d2 = External diameter (mm) of the connecting pipe/fitting



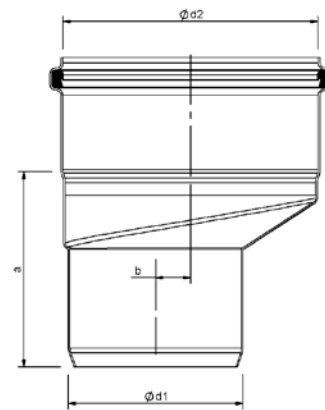
# SitaPipe Stainless Steel reduction



## Tender text

SitaPipe stainless steel reduction, made of rust-proof stainless steel, material number 1.4404, to DIN EN 1124 as a plug-in pipe system with EPDM lip seal fitted in the socket at the factory, sharp end with a 20° phase for simplified insertion in the socket, eccentric, for the transition to other dimensions, supply and install to professional standards.

## Technical drawing



| Size DN | OD* | a (mm) | b (mm) | d1 (mm)     | d2 (mm) | Article number |
|---------|-----|--------|--------|-------------|---------|----------------|
| 50      | 50  | 77     | 5      | 40          | 50      | 70 02 40 50    |
| 70      | 75  | 80     | 7      | 50          | 75      | 70 02 50 75    |
| 100     | 110 | 99     | 25     |             | 110     | 110            |
|         |     | 104    | 15     | 70 01 75 11 |         |                |
|         |     | 101    | 11     | 70 02 80 11 |         |                |
| 125     | 125 | 96     | 8      | 110         | 125     | 70 02 12 11    |
| 150     | 160 | 123    | 22     |             | 160     | 160            |
|         |     | 136    | 18     | 125         |         | 70 02 16 12    |
| 250     | 250 | 192    | 25     | 200         | 250     | 70 02 20 25    |
| 315     | 315 | 229    | 33     | 250         | 315     | 70 02 25 31    |
| 200     | 200 | 153    | 20     | 160         | 200     | 70 02 20 16    |

\* d1 und d2 = External diameter (mm) of the connecting pipe/fitting

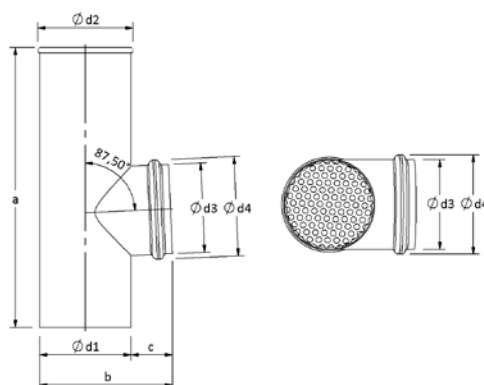
# SitaPipe flat roof branch



## Tender text

SitaPipe flat roof branch, made of zinc, according to DIN EN 612, inlet in DN, downpipe to zinc downpipe, including pre-assembled inlet seal, supply and install to professional standards.

## Technical drawing



| Execution         | a (mm) | b (mm) | c (mm) | d1 (mm) | d2 (mm) | d3 (mm) | d4 (mm) | Article number |
|-------------------|--------|--------|--------|---------|---------|---------|---------|----------------|
| 70/75 to NW 100   | 240    | 135    | 36     | 99      | 102     | 78      | 87      | 18 91 33       |
| 70/75 to NW 80    | 245    | 116    |        | 80      | 83      |         |         | 18 91 34       |
| 100/110 to NW 100 | 270    | 139    | 40     | 99      | 102     | 111     | 125     | 18 91 35       |

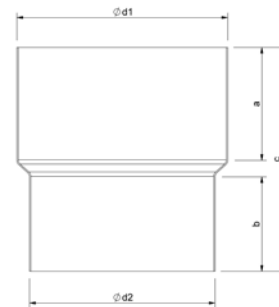
# SitaPipe adapter



## Tender text

SitaPipe adapter on zinc downpipe, made of titanium zinc, SitaPipe Edelstahl pipe to the zinc downpipe, supply and install to professional standards.

## Technical drawing



| Execution         | a<br>(mm) | b<br>(mm) | c<br>(mm) | d1<br>(mm) | d2<br>(mm) | Article number |
|-------------------|-----------|-----------|-----------|------------|------------|----------------|
| 70/75 to NW 80    | 50        | 50        | 109       | 77         | 76         | 18 91 29       |
| 100/110 to NW 100 | 60        |           | 119       | 110        | 98         | 18 91 30       |
| 125/125 to NW 120 | 65        |           | 124       | 125        | 118        | 18 91 31       |

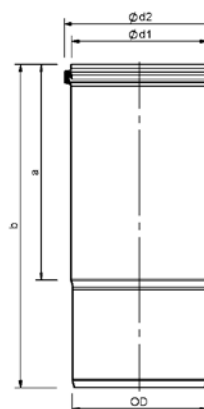
# SitaPipe Stainless Steel expansion sleeve



## Tender text

SitaPipe stainless steel expansion coupler, made of rust-proof stainless steel, material number 1.4301, 1.4404 for DN 200, to DIN EN 1124 as a plug-in pipe system with EPDM lip seal fitted in the coupler at the factory, long coupler to allow for low length tolerances, sharp end with 20° phase for simplified insertion in the coupler, completely dip treated to ensure a smooth matt silver finish, supply and install to professional standards.

## Technical drawing



| Size DN | OD* | a (mm) | b (mm) | d1 (mm) | d2 (mm) | Article number |
|---------|-----|--------|--------|---------|---------|----------------|
| 70      | 75  | 163    | 225    | 76      | 87      | 70 07 00 75    |
| 80      | 82  | 170    | 240    | 83      | 95      | 70 07 00 80    |
| 100     | 110 | 161    |        | 111     | 123     | 70 07 00 11    |
| 125     | 125 | 200    | 300    | 126     | 139     | 70 07 00 12    |
| 150     | 160 | 238    | 360    | 161     | 178     | 70 07 00 16    |
| 200     | 200 | 300    | 420    | 201     | 220     | 70 07 00 20    |

\* OD = Outer diameter (mm)

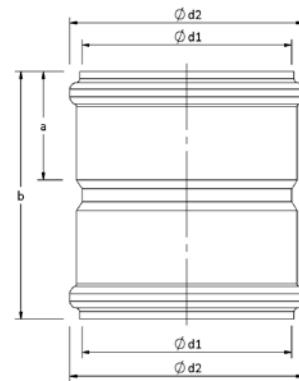
# SitaPipe Stainless Steel double plug-in coupler



## Tender text

SitaPipe stainless steel double plug-in coupler, made of rust-proof stainless steel, material number 1.4301 (DN 40, DN 50, DN 70, DN 100, DN 125, DN 150) or 1.4404 (DN 80, DN 200, DN 250, DN 315), to DIN EN 1124 as a plug-in pipe system with EPDM lip seals fitted in the couplers at the factory, holds two pipe ends, completely dip treated to ensure a smooth matt silver finish, supply and install to professional standards.

## Technical drawing



| Size DN | OD* | a (mm) | b (mm) | d1 (mm) | d2 (mm) | Article number |
|---------|-----|--------|--------|---------|---------|----------------|
| 40      | 40  | 42     | 104    | 41      | 52      | 70 09 40 40    |
| 50      | 50  | 39     | 97     | 51      | 62      | 70 09 50 50    |
| 70      | 75  | 50     | 120    | 76      | 87      | 70 09 75 75    |
| 80      | 82  | 52     | 124    | 83      | 95      | 70 09 80 80    |
| 100     | 110 | 57     | 130    | 111     | 123     | 70 09 11 11    |
| 125     | 125 | 60     | 140    | 126     | 139     | 70 09 12 12    |
| 150     | 160 | 71     | 162    | 161     | 178     | 70 09 16 16    |
| 200     | 200 | 87     | 200    | 201     | 220     | 70 09 20 20    |
| 250     | 250 | 110    | 250    | 251     | 276     | 70 09 25 25    |
| 315     | 315 | 116    | 262    | 316     | 346     | 70 09 31 31    |

\* OD = Outer diameter (mm)

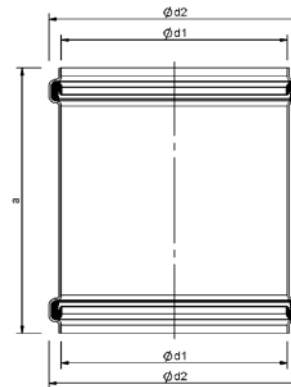
# SitaPipe Stainless Steel slide-on coupler



## Tender text

SitaPipe stainless steel slide-on coupler, made of rust-proof stainless steel, material number 1.4404, to DIN EN 1124 as a plug-in pipe system with EPDM lip seals fitted in the couplers at the factory, holds two pipe ends in variable depths, completely dip treated to ensure a smooth matt silver finish, supply and install to professional standards.

## Technical drawing



| Size DN | OD* | a (mm) | d1 (mm) | d2 (mm) | Article number |
|---------|-----|--------|---------|---------|----------------|
| 40      | 40  | 104    | 41      | 52      | 70 11 40 40    |
| 50      | 50  | 97     | 51      | 62      | 70 11 50 50    |
| 70      | 75  | 120    | 76      | 87      | 70 11 75 75    |
| 80      | 82  | 124    | 83      | 95      | 70 11 80 80    |
| 100     | 110 | 130    | 111     | 123     | 70 11 11 11    |
| 125     | 125 | 140    | 126     | 139     | 70 11 12 12    |
| 150     | 160 | 162    | 161     | 178     | 70 11 16 16    |
| 200     | 200 | 200    | 201     | 220     | 70 11 20 20    |
| 250     | 250 | 250    | 251     | 276     | 70 11 25 25    |
| 315     | 315 | 262    | 316     | 346     | 70 11 31 31    |

\* OD = Outer diameter (mm)

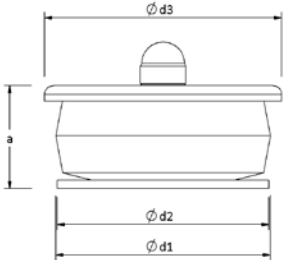
# SitaPipe Stainless Steel sealing plug



### Tender text

SitaPipe stainless steel sealing plug, made of rust-proof stainless steel, material number 1.4404, to seal the end of a pipe, with smooth matt silver finish, supply and install to professional standards.

### Technical drawing



| Size DN | OD* | a (mm) | d1 (mm) | d2 (mm) | d3 (mm) | Article number |
|---------|-----|--------|---------|---------|---------|----------------|
| 70      | 75  | 36     | 75      | 74      | 83      | 70 13 75 00    |

\* OD = Outer diameter (mm)

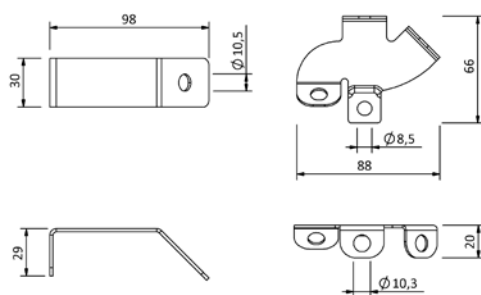
# SitaPipe Stainless Steel mounting bracket



## Tender text

SitaPipe stainless steel mounting bracket, made of rust-proof stainless steel, material number 1.4301, to attach to the building structure in changes of direction, e.g. bends or branches, combined with the SitaPipe Edelstahl safety clamps, supply and install to professional standards.

## Technical drawing



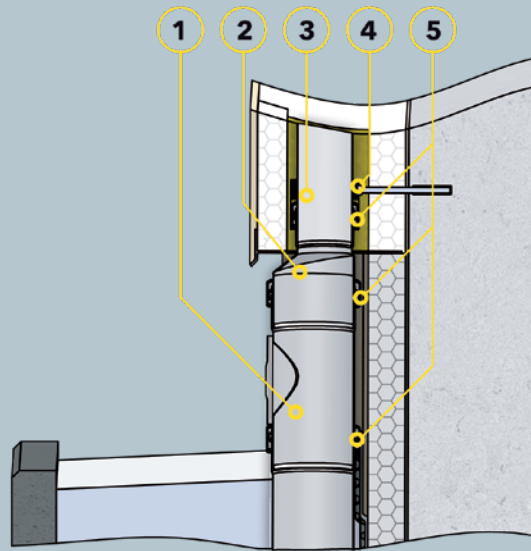
Article number

76 00 00 00



# SitaPipe Stainless Steel

SitaPipe Edelstahl pipe at bottom in thermal insulation composite system



## Components

- |          |   |          |                                       |
|----------|---|----------|---------------------------------------|
| <b>1</b> | SitaPipe Stainless Steel cleaning pipe              | <b>4</b> | SitaPipe Stainless Steel pipe clamp   |
| <b>2</b> | SitaPipe Stainless Steel transition piece eccentric | <b>5</b> | SitaPipe Stainless Steel safety clamp |
| <b>3</b> | SitaPipe Stainless Steel pipe                       |          |                                       |

## Roof structure

**Wall structure from the inside to the outside to the general rules of engineering with:**

- + Finish plaster and paint
- + Thermal insulation
- + Wall structure